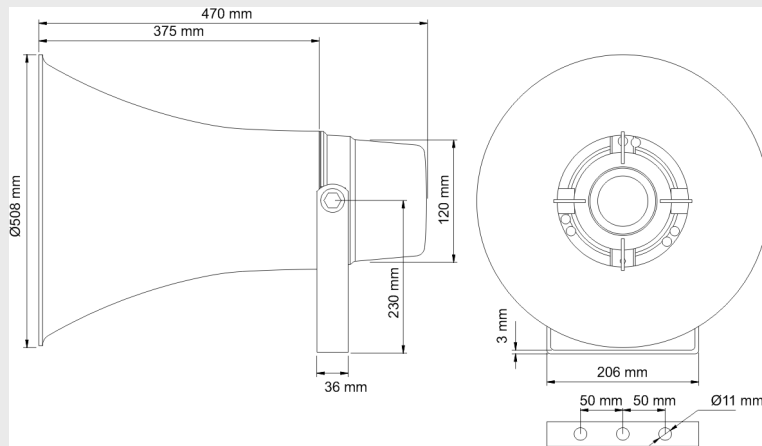


INSTRUCTION MANUAL

HORN SPEAKER

AC-850T



WARNING:

- ⚡ Installation by qualified personnel only.
- ⚡ Ensure that all speakers have the same polarity with respect to each other.
- ⚡ Do not select another taping if the speaker is in use.
- ⚡ No naked flame sources, such as lighted candles, should be placed near the unit.

SPECIFICATIONS

Model	AC-850T
Rated Power (RMS)	50 W
Power taps 100 V	50 W, 30 W, 15 W & 7,5 W
Power taps 70 V	25 W, 15 W, 7.5 W & 3.75 W
Impedance	200 Ω, 333 Ω, 666 Ω & 1333 Ω
Sensitivity SPL	110 dB SPL at 1 W, 1 m & 1 kHz
Sound Pressure SPL	127 dB SPL at 30 W, 1 m & 1 kHz
Freq. Range (-10 dB)	160 ~ 8000 Hz
Dispersion	110°
Operation temperature	-25° to +60°C
Protection	IP66 (IEC 529)
Dimensions (mm)	Ø 508 x 470 (length)
Weigh	3.65 kg
Finish	Aluminum. Light grey driver, creamy white body
Power selection	By rotary switch
Accessories (included)	U type steel mounting bracket

INSTALLATION

High impedance connection (70 V / 100 V): Connect all speakers in parallel. The total speaker's power must be equal or smaller than the amplifier's power.

POSITION	POWER		IMPEDANCE
	70 V	100 V	
1	50 W	-	100 Ω
2	OFF	OFF	OFF
3	25 W	50 W	200 Ω
4	15 W	30 W	330 Ω
5	8 W	15 W	670 Ω
6	3.75 W	7.5 W	1330 Ω

